

DL240+ Dunlop Two Post Lift (4 Tonne)



Designed In Italy



The Dunlop DL240+ is a solid 4 tonne electro-hydraulic two post lift. This lift is suitable for cars and vans (excluding LWB).

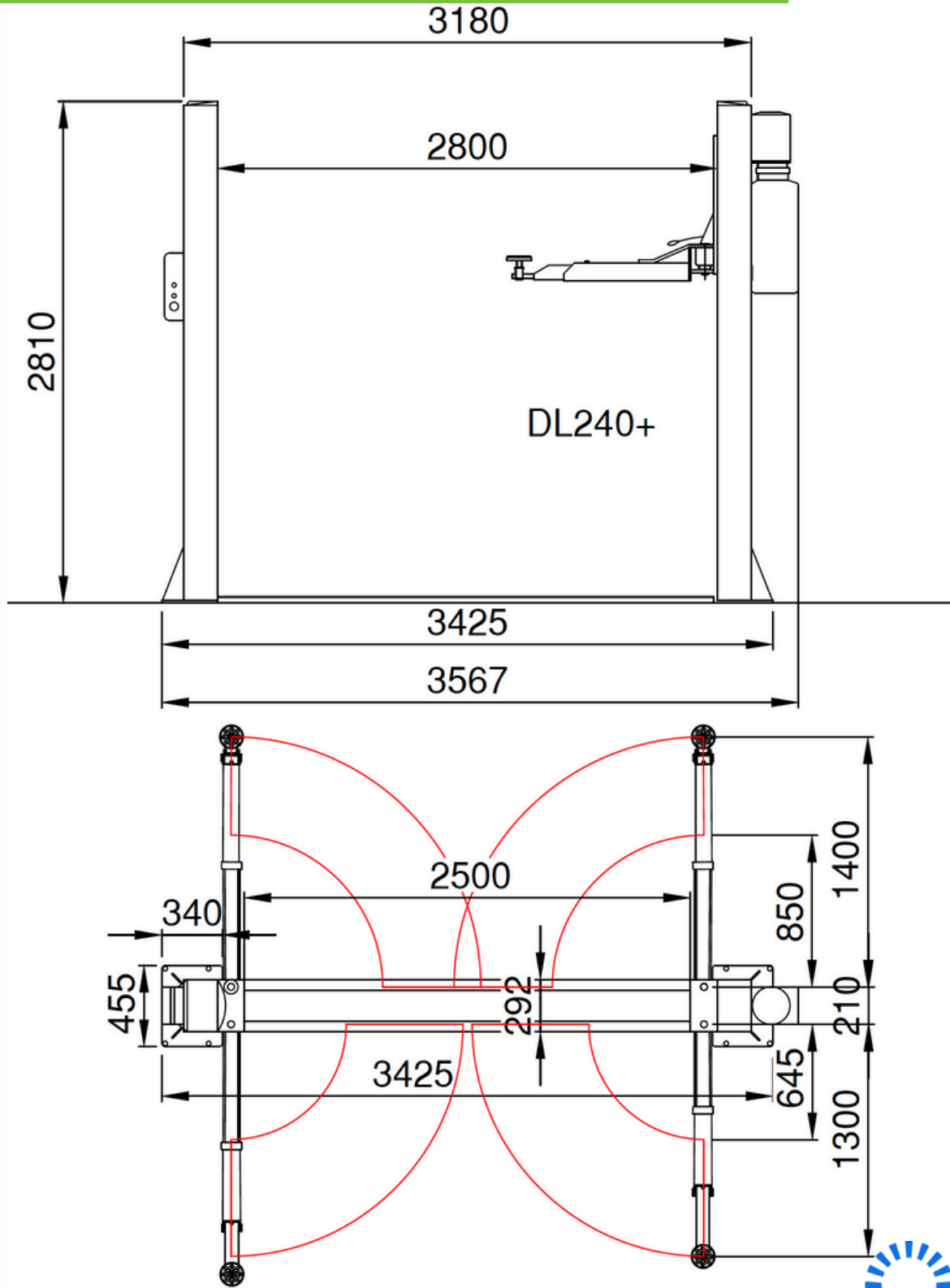
Two stage long rear arms and three stage short front arms all fitted with 95mm lifting pads. These key features help this budget lift to be one of the most versatile on the market.

This two post lift is electro-hydraulically operated and is available in single or three phase at no extra cost.

- 4 tonne lifting capacity
- 95mm (Screw adjustable) minimum height
- 1940mm maximum lifting height
- 40 seconds lifting & lowering time
- 645-1300mm front arm length min / max
- 850-1400mm rear arm length min / max
- 1 phase or 3 phase – 16a Isolator Required
- 2.2kW motor size
- Electro-hydraulic operation

Contact Us: 0345 872 2400 / Email: sales@gemco.co.uk / Website: www.gemco.co.uk

DL240+ Dunlop Two Post Lift (4 Tonne)



Contact Us: 0345 872 2400 / Email: sales@gemco.co.uk / Website: www.gemco.co.uk